

# INTEGRAL

1044UAP100R26-28 S45 RAL9002 BH139

EAN 4031582455717

Swivel Caster with central, total or directional lock, stem with cam hole for profile bars. Wheel center made of Polyamide, Tread: Polyurethane, precision ball bearing



BETTER MOBILITY. BETTER LIFE.

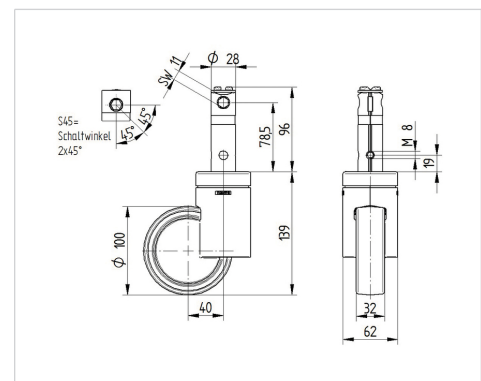


Picture may differ from original product

## Technical Data

Wheel diameter	100 mm
Wheel width	32 mm
Caster width	62 mm
Bolt-Ø	28 mm
Bolt length	96 mm
Offset	40 mm
Swivel Interference	180 mm
Overall height	139 mm
Temperature	- 30 / + 80 °C
Standard	EN 12531 (load capacity)
Weight	0.919 kg
Swivel Radius	90 mm
Hardness of tread	Shore D 42
Load capacity (dynamic)	100 kg
Load capacity (static)	300 kg

## Dimensions



## Advantages at a glance

Roll performance	● ● ● ● ○
Movement noise	● ● ● ○ ○
Attrition	● ● ● ● ○
Corrosion resistance	● ● ● ○ ○