

# COMPACTA

1430POI025P60-35x30 (54)

EAN 4031582200966

Swivel castor, housing made of pressed steel, bright zinc plated, blue passivated, single ball race swivel head, axle riveted, plate fitting. Wheel centre made of Polypropylene, plain bearing



BETTER MOBILITY. BETTER LIFE.

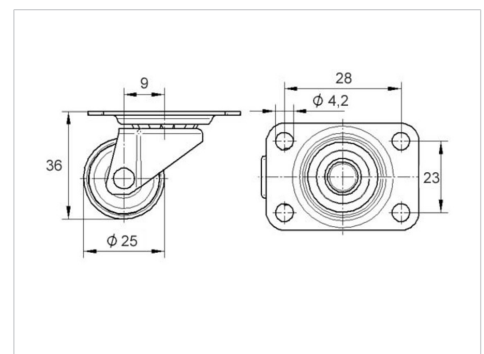


Picture may differ from original product

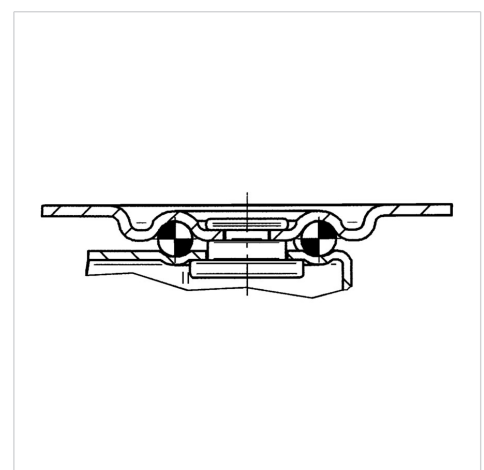
## Technical Data

Wheel diameter	25 mm
Wheel width	12 mm
Size of Plate	35 x 30 mm
Plate hole centres	28 x 23 mm
Plate hole	4,2 mm
Offset	9 mm
Swivel Interference	43 mm
Overall height	36 mm
Temperature	- 20 / + 60 °C
Standard	EN 12528
Weight	0.03 kg
Swivel Radius	21.5 mm
Hardness of tread	Shore D 65
Load capacity	10 kg
Load capacity (static)	20 kg

## Dimensions



## Structure & Mounting



## Advantages at a glance

Roll performance	● ● ● ○ ○
Movement noise	● ● ● ○ ○
Attrition	● ● ● ● ●
Corrosion resistance	● ● ● ○ ○