

COMPACTA

1430POI025P60-35x30

EAN 4031582336658

Swivel caster, housing made of pressed steel, bright zinc plated, blue passivated, single ball race swivel head, axle riveted, plate fitting. Wheel center made of Polypropylene, plain bearing



BETTER MOBILITY. BETTER LIFE.

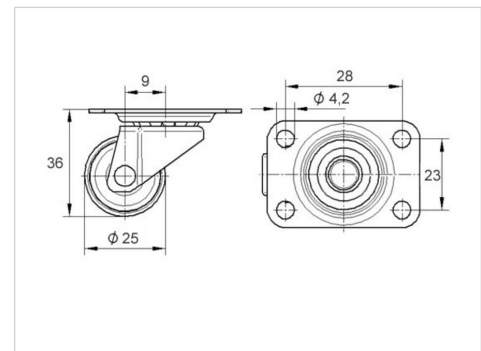


Picture may differ from original product

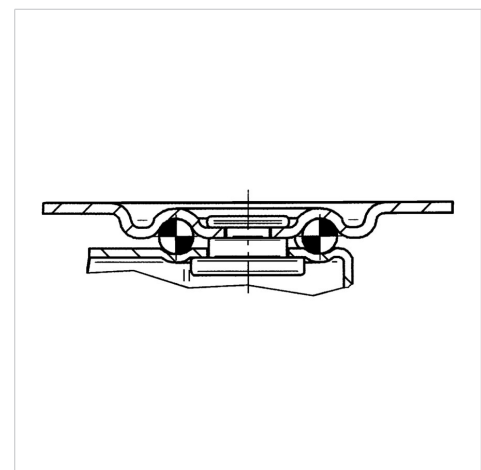
Technical Data

Wheel diameter	25 mm
Wheel width	12 mm
Caster width	24 mm
Plate size	35 x 30,0 mm
Plate hole centers	28 x 23 mm
Plate hole	4,2 mm
Dome- \emptyset	24.5 mm
Offset	9 mm
Swivel Interference	43 mm
Overall height	36 mm
Temperature	- 20 / + 60 °C
Standard	EN 12528
Weight	0.03 kg
Swivel Radius	21.5 mm
Hardness of tread	Shore D 65
Load capacity (dynamic)	10 kg
Load capacity (static)	20 kg

Dimensions



Structure & Mounting



Advantages at a glance

Roll performance	● ● ● ○ ○
Movement noise	● ● ● ○ ○
Attrition	● ● ● ● ●
Corrosion resistance	● ● ● ○ ○