

COMPACTA

1430POI032P60-38X32

EAN 4031582336665



BETTER MOBILITY. BETTER LIFE.

Swivel caster, housing made of pressed steel, bright zinc plated, blue passivated, single ball race swivel head, axle riveted, plate fitting. Wheel center made of Polypropylene, plain bearing

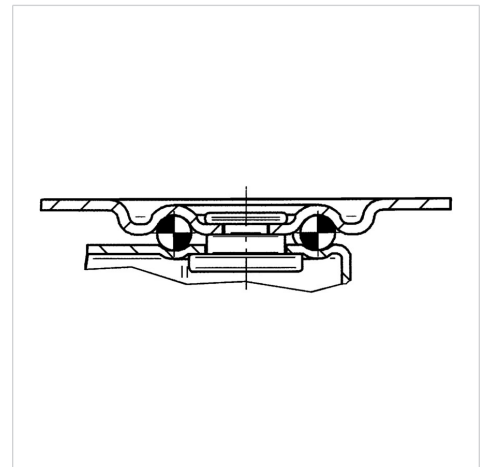


Picture may differ from original product

Technical Data

Wheel diameter	32 mm
Wheel width	14 mm
Caster width	26 mm
Plate size	38 x 32 mm
Plate hole centers	30 x 24 mm
Plate hole	4,2 mm
Dome-Ø	26.5 mm
Offset	11 mm
Swivel Interference	54 mm
Overall height	42.5 mm
Temperature	- 20 / + 60 °C
Standard	EN 12530
Weight	0.046 kg
Swivel Radius	27 mm
Hardness of tread	Shore D 65
Load capacity (dynamic)	20 kg
Load capacity (static)	40 kg

Structure & Mounting



Advantages at a glance

Roll performance	● ● ● ○ ○
Movement noise	● ● ● ○ ○
Attrition	● ● ● ● ●
Corrosion resistance	● ● ● ○ ○