

COMPACTA

1430POI038P60-46x38

EAN 4031582336672

Swivel castor, housing made of pressed steel, bright zinc plated, blue passivated, single ball race swivel head, axle riveted, plate fitting. Wheel centre made of Polypropylene, plain bearing



BETTER MOBILITY. BETTER LIFE.

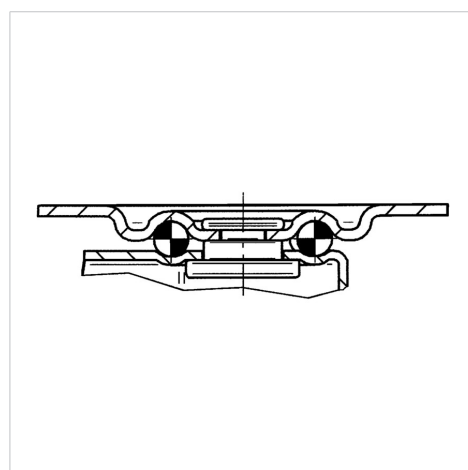


Picture may differ from original product

Technical Data

Wheel diameter	38 mm
Wheel width	16 mm
Castor width	32 mm
Size of Plate	46 x 38 mm
Plate hole centres	36 x 28 mm
Plate hole	5,3 mm
Dome-Ø	32 mm
Offset	13 mm
Swivel Interference	64 mm
Overall height	50.5 mm
Temperature	- 20 / + 60 °C
Standard	EN 12528
Weight	0.071 kg
Swivel Radius	32 mm
Hardness of tread	Shore D 65
Load capacity	25 kg
Load capacity (static)	50 kg

Structure & Mounting



Advantages at a glance

Roll performance	● ● ● ○ ○
Movement noise	● ● ● ○ ○
Attrition	● ● ● ● ●
Corrosion resistance	● ● ● ○ ○