

COMPACTA

1430POI038P60-46x38

EAN 4031582336672



BETTER MOBILITY. BETTER LIFE.

Swivel caster, housing made of pressed steel, bright zinc plated, blue passivated, single ball race swivel head, axle riveted, plate fitting. Wheel center made of Polypropylene, plain bearing

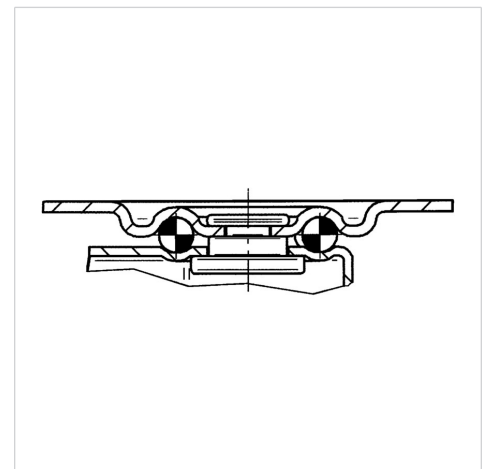


Picture may differ from original product

Technical Data

Wheel diameter	38 mm
Wheel width	16 mm
Caster width	32 mm
Plate size	46 x 38 mm
Plate hole centers	36 x 28 mm
Plate hole	5,3 mm
Dome-Ø	32 mm
Offset	13 mm
Swivel Interference	64 mm
Overall height	50.5 mm
Temperature	- 20 / + 60 °C
Standard	EN 12528
Weight	0.071 kg
Swivel Radius	32 mm
Hardness of tread	Shore D 65
Load capacity (dynamic)	25 kg
Load capacity (static)	50 kg

Structure & Mounting



Advantages at a glance

Roll performance	● ● ● ○ ○
Movement noise	● ● ● ○ ○
Attrition	● ● ● ● ●
Corrosion resistance	● ● ● ○ ○