

# COMPACTA

1430POI050P60-59X47 (24)

EAN 4031582332513

Swivel castor, housing made of pressed steel, bright zinc plated, blue passivated, single ball race swivel head, axle riveted, plate fitting. Wheel centre made of Polypropylene, plain bearing



BETTER MOBILITY. BETTER LIFE.

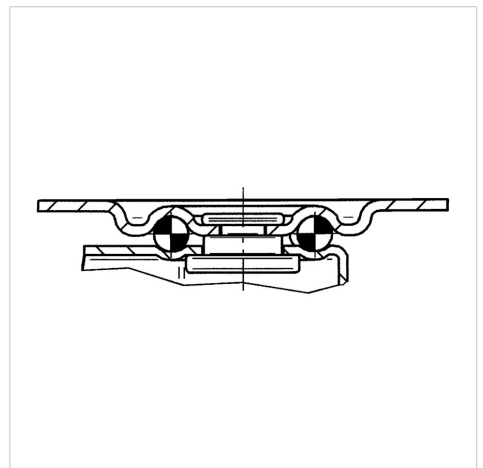


Picture may differ from original product

## Technical Data

Wheel diameter	50 mm
Wheel width	21 mm
Size of Plate	59 x 47 mm
Plate hole centres	46 x 35 mm
Plate hole	6,7 mm
Offset	16 mm
Swivel Interference	82 mm
Overall height	66 mm
Temperature	- 20 / + 60 °C
Standard	EN 12528
Weight	0.143 kg
Swivel Radius	41 mm
Hardness of tread	Shore D 65
Load capacity	40 kg
Load capacity (static)	80 kg

## Structure & Mounting



## Advantages at a glance

Roll performance	● ● ● ○ ○
Movement noise	● ● ● ○ ○
Attrition	● ● ● ● ●
Corrosion resistance	● ● ● ○ ○