

COMPACTA

1430PVH050P60-67x48

EAN 3700001796731

Swivel castor, housing made of pressed steel, bright zinc plated, blue passivated, single ball race swivel head, axle riveted, plate fitting. Wheel centre made of Polypropylene, Tread: solid rubber, black, plain bearing, with threadguards



BETTER MOBILITY. BETTER LIFE.

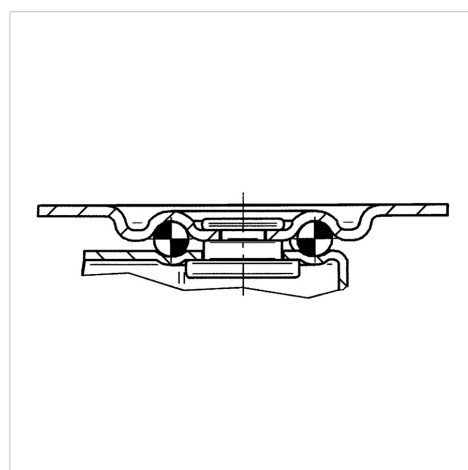


Picture may differ from original product

Technical Data

Wheel diameter	50 mm
Wheel width	21 mm
Size of Plate	67 x 48 mm
Plate hole centres	55 x 30 mm
Plate hole	6 mm
Offset	16 mm
Swivel Interference	82 mm
Overall height	66 mm
Temperature	- 20 / + 60 °C
Standard	EN 12528
Weight	0.143 kg
Swivel Radius	41 mm
Hardness of tread	Shore D 65
Load capacity	40 kg
Load capacity (static)	80 kg

Structure & Mounting



Advantages at a glance

Roll performance	● ● ● ○ ○
Movement noise	● ● ● ○ ○
Attrition	● ● ● ○ ○
Corrosion resistance	● ● ● ○ ○