

COMPACTA

1430PVH050P60-67x48

EAN 3700001796731

Swivel caster, housing made of pressed steel, bright zinc plated, blue passivated, single ball race swivel head, axle riveted, plate fitting. Wheel center made of Polypropylene, Tread: solid rubber, black, plain bearing, threadguard



BETTER MOBILITY. BETTER LIFE.

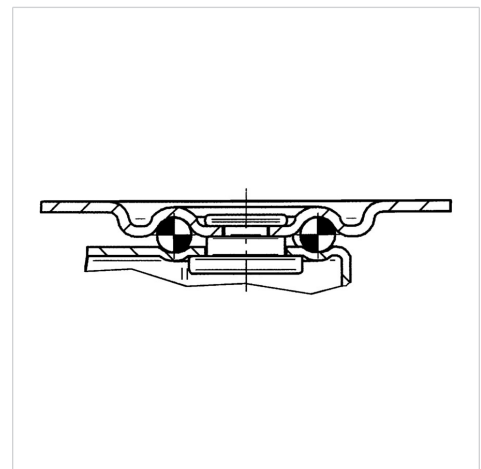


Picture may differ from original product

Technical Data

Wheel diameter	50 mm
Wheel width	21 mm
Plate size	67 x 48 mm
Plate hole centers	55 x 30 mm
Plate hole	6 mm
Offset	16 mm
Swivel Interference	82 mm
Overall height	66 mm
Temperature	- 20 / + 60 °C
Standard	EN 12528
Weight	0.143 kg
Swivel Radius	41 mm
Hardness of tread	Shore D 65
Load capacity (dynamic)	40 kg
Load capacity (static)	80 kg

Structure & Mounting



Advantages at a glance

Roll performance	● ● ● ○ ○
Movement noise	● ● ● ○ ○
Attrition	● ● ● ○ ○
Corrosion resistance	● ● ● ○ ○