

INTEGRAL

2040UAP125R05-32

EAN 4031582300116

Swivel caster, Frame made of pressed steel, precision ball bearing in swivel head and wheel, housing cover made of synthetic plastic, solid plug fitting. Wheel center made of Polyamide, Tread: Polyurethane, precision ball bearing



BETTER MOBILITY. BETTER LIFE.



Picture may differ from original product

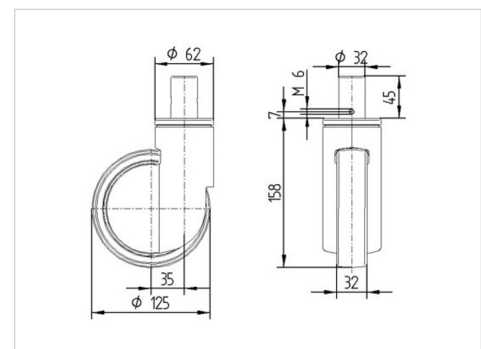
Technical Data

Wheel diameter	125 mm
Wheel width	32 mm
Caster width	62 mm
Bolt-Ø	32 mm
Bolt length	45 mm
Dome-Ø	62 mm
Offset	35 mm
Swivel Interference	195 mm
Overall height	158 mm
Temperature	- 25 / - 25 °C
Standard	EN 12531
Weight	1.051 kg
Swivel Radius	97.5 mm
Hardness of tread	Shore D 42
Load capacity (dynamic)	150 kg
Load capacity (static)	450 kg

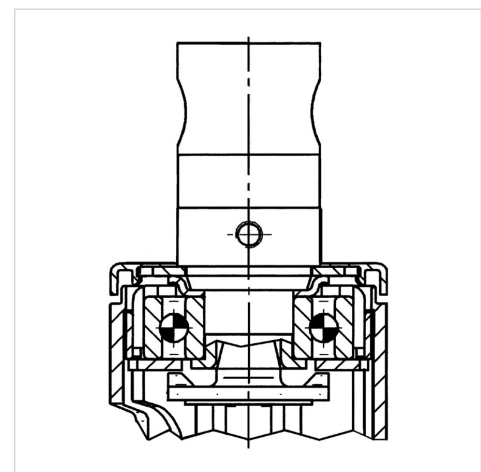
Advantages at a glance

Roll performance	● ● ● ○ ○
Movement noise	● ● ● ○ ○
Attrition	● ● ● ○ ○
Corrosion resistance	● ● ● ○ ○

Dimensions



Structure & Mounting



INTEGRAL

2040UAP125R05-32

EAN 4031582300116



BETTER MOBILITY. BETTER LIFE.

Structure & Mounting

	<p>product design award winner</p>
	<p>reddot design award winner</p>