

## PRODUCT INFORMATION

# INTEGRAL

2044UAP150R26-28S45 4XM8

EAN  
Order number

4031582300185  
00061434



Image may differ from the original product

## PERFORMANCE

Roll performance	●●●○○
Movement noise	●●●○○
Attrition	●●●●○
Corrosion resistance	●●●○○

## CORE ATTRIBUTES

Product name	Integral
Product type	Swivel castor with central, total or directional lock
Standard	EN12531 - Hospital Bed Castors
Load capacity at 3 km/h	150 kg
Load capacity at 4 km/h	150 kg
Load capacity Static	450 kg
Temperature range (Minimum)	-25 °C
Temperature range (Maximum)	80 °C
Overall height	183 mm
Overall width	62 mm
Overall weight	0.99 kg
Certification	Tested and monitored by TÜV Süd

## WHEEL

Body material	Polyamide
Tread material	Polyurethane, injected
Bearing	Precision ball bearing
Tread color	Slate grey (RAL7015)
Wheel color	Slate grey (RAL7015)
Threadguards	Integrated threadguard
Diameter	150 mm
Tread width	32 mm
Body width	32 mm
Hardness of tread (A)	92 Shore A
Hardness of tread (D)	42 Shore D

## HOUSING

Material	Steel sheet, medium
Fork shape	Closed
Swivel bearing	Precision ball bearing
Colour	Grey white (RAL9002)
Offset	40 mm
Swivel radius	115 mm
Swivel interference	230 mm
Dome diameter	62 mm

## FITTING

Fitting type	Stem with cam hole for profile bars
Bolt diameter	28 mm
Bolt length	96 mm
Bolt thread position	19 mm
Bolt mounting holes quantity	4



IF  
Design  
Award



Red Dot  
Design  
Award

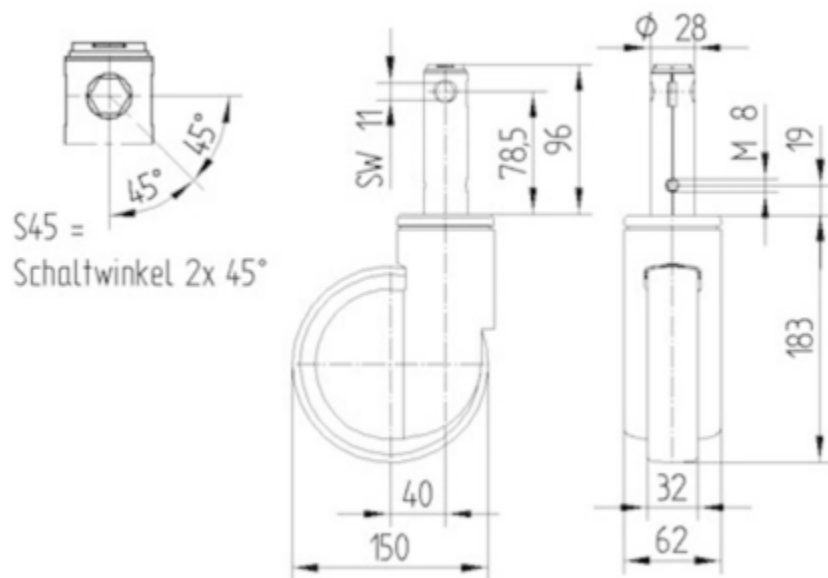
# INTEGRAL

2044UAP150R26-28S45 4XM8

EAN  
Order number

4031582300185  
00061434

## TECHNICAL DRAWINGS



IF  
Design  
Award



Red Dot  
Design  
Award