

INTEGRAL

2046UAP125R26-28S45 4xM8

EAN 4031582300222

Swivel castor with central total lock, frame made of pressed steel, precision ball bearing in swivel head and wheel, housing cover made of synthetic plastics, stem with cam hole for profile bars. Wheel centre made of Polyamide, Tread: Polyurethane, precision ball bearing
Hint: TÜV Süd certified product.



BETTER MOBILITY. BETTER LIFE.

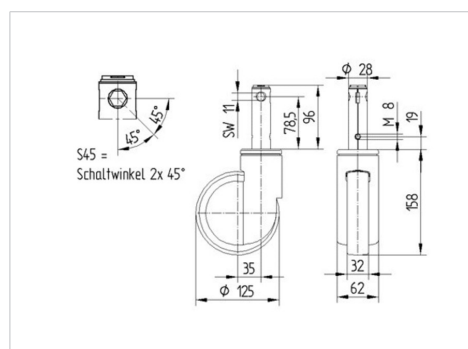


Picture may differ from original product

Technical Data

Wheel diameter	125 mm
Wheel width	32 mm
Castor width	62 mm
Bolt-Ø	28 mm
Bolt length	96 mm
Dome-Ø	62 mm
Offset	35 mm
Swivel Interference	195 mm
Overall height	158 mm
Temperature	- 25 / - 25 °C
Standard	EN 12531
Weight	0.972 kg
Swivel Radius	97.5 mm
Hardness of tread	Shore D 42
Load capacity	150 kg
Load capacity (static)	450 kg

Dimensions



Advantages at a glance

Roll performance	● ● ● ○ ○
Movement noise	● ● ● ○ ○
Attrition	● ● ● ● ○
Corrosion resistance	● ● ● ○ ○

INTEGRAL

2046UAP125R26-28S45 4xM8

EAN 4031582300222



BETTER MOBILITY. BETTER LIFE.

Structure & Mounting

