

# INTEGRAL

2046UAP125R36-32S30 4xM6

EAN 4031582300239

Swivel caster with central lock, Frame made of pressed steel, precision ball bearing in swivel head and wheel, housing cover made of synthetic plastic, stem with cam hole for profile bars, short version. Wheel center made of Polyamide, Tread: Polyurethane, precision ball bearing  
Hint: TÜV Süd certified product.



BETTER MOBILITY. BETTER LIFE.



Picture may differ from original product

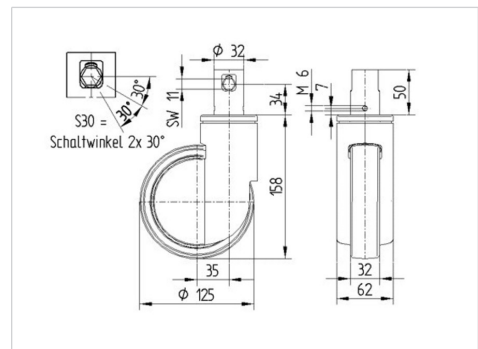
## Technical Data

Wheel diameter	125 mm
Wheel width	32 mm
Caster width	62 mm
Bolt-Ø	32 mm
Bolt length	51 mm
Dome-Ø	62 mm
Offset	35 mm
Swivel Interference	195 mm
Overall height	158 mm
Temperature	- 25 / + 80 °C
Standard	EN 12531
Weight	0.976 kg
Swivel Radius	97.5 mm
Hardness of tread	Shore D 42
Load capacity (dynamic)	150 kg
Load capacity (static)	450 kg

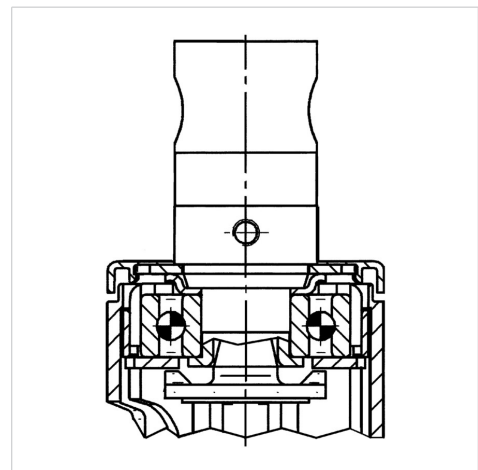
## Advantages at a glance

Roll performance	● ● ● ○ ○
Movement noise	● ● ● ○ ○
Attrition	● ● ● ○ ○
Corrosion resistance	● ● ● ○ ○

## Dimensions



## Structure & Mounting



# INTEGRAL

2046UAP125R36-32S30 4xM6

EAN 4031582300239



BETTER MOBILITY. BETTER LIFE.

## Structure & Mounting

---

