

COMPACTA

2198UOI014P60-30x17

EAN 4031582030044

Fixed castor, Fork made of pressed steel, bright zinc plated, blue passivated, axle riveted, plate fitting.

Wheel centre made of Polyamide, plain bearing



BETTER MOBILITY. BETTER LIFE.

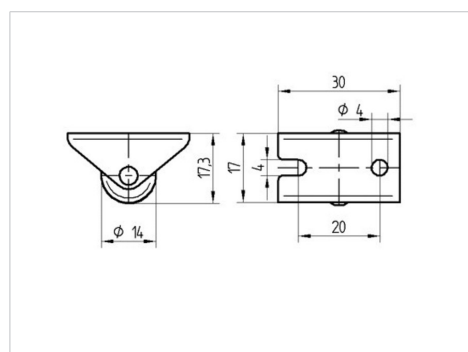


Picture may differ from original product

Technical Data

Wheel diameter	14 mm
Wheel width	14 mm
Castor width	20 mm
Size of Plate	30 x 17 mm
Plate hole centres	20 mm
Plate hole	4 mm
Dome-Ø	20 mm
Overall height	17 mm
Temperature	- 20 / + 60 °C
Standard	EN 12528
Weight	0.011 kg
Hardness of tread	Shore D 65
Load capacity	25 kg
Load capacity (static)	50 kg

Dimensions



Advantages at a glance

Roll performance	● ● ● ○ ○
Movement noise	● ● ● ○ ○
Attrition	● ● ● ● ●
Corrosion resistance	● ● ● ○ ○