

# COMPACTA

2198UOI045P60-67x24

EAN 4031582030075



BETTER MOBILITY. BETTER LIFE.

Fixed castor, Fork made of pressed steel, bright zinc plated, blue passivated, axle riveted, plate fitting.

Wheel centre made of Polyamide, plain bearing

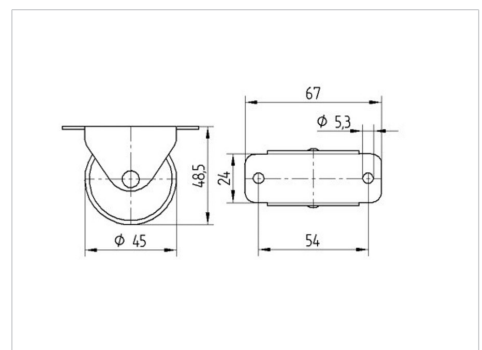


Picture may differ from original product

## Technical Data

Wheel diameter	45 mm
Wheel width	18 mm
Castor width	20 mm
Size of Plate	67 x 24,0 mm
Plate hole centres	54 mm
Plate hole	5,3 mm
Dome-Ø	20 mm
Overall height	48.5 mm
Temperature	- 25 / + 80 °C
Standard	EN 12528
Weight	0.063 kg
Hardness of tread	Shore D 75
Load capacity	40 kg
Load capacity (static)	80 kg

## Dimensions



## Advantages at a glance

Roll performance	● ● ● ○ ○
Movement noise	● ● ● ○ ○
Attrition	● ● ● ● ●
Corrosion resistance	● ● ● ○ ○