

STORA

2340PHP125P30-13

EAN 4031582357646

Swivel castor, housing made of pressed steel, bright zinc plated, blue passivated, precision ball bearing in swivel head, with PU cover, wheel axle with nut, bolt hole. Wheel centre made of Polypropylene, Tread: TENTEprene (thermoplastic rubber), grey non-marking, precision ball bearing, conditional antistatic according TENTE specifications



BETTER MOBILITY. BETTER LIFE.



Picture may differ from original product

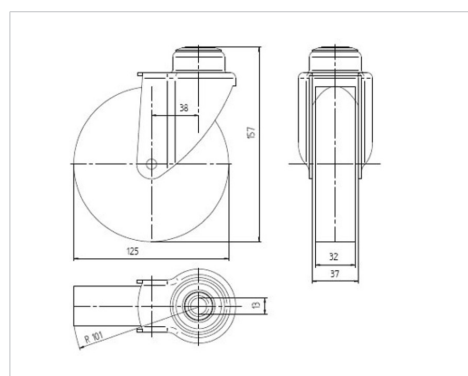
Technical Data

Wheel diameter	125 mm
Wheel width	32 mm
Centre hole	13 mm
Offset	38 mm
Swivel Interference	201 mm
Overall height	157 mm
Temperature	- 20 / + 60 °C
Swivel Radius	100.5 mm
Hardness of tread	Shore A 87
Load capacity	100 kg
Load capacity (static)	200 kg

Advantages at a glance

Roll performance	● ● ● ○ ○
Movement noise	● ● ● ○ ○
Attrition	● ● ● ○ ○
Corrosion resistance	● ● ● ○ ○

Dimensions



Structure & Mounting

