

STORA

2370DIK075P30-10

EAN 4031582300291

Swivel caster, housing made of pressed steel, bright zinc plated, blue passivated, double ball bearing swivel head, wheel axle with nut, bolt hole. Wheel center made of pressed steel, Tread: solid rubber, grey non-marking, with threadguards, cone ball bearing



BETTER MOBILITY. BETTER LIFE.

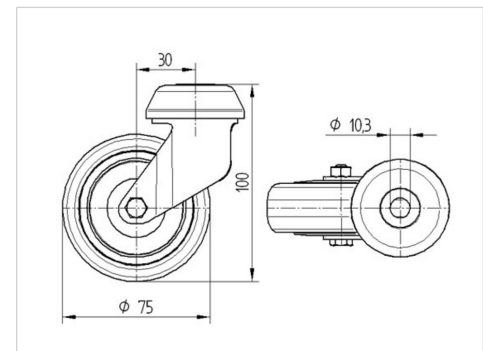


Picture may differ from original product

Technical Data

Wheel diameter	75 mm
Wheel width	25 mm
Caster width	50 mm
Center hole	10,3 mm
Dome-Ø	43.5 mm
Offset	30 mm
Swivel Interference	135 mm
Overall height	100 mm
Temperature	- 20 / + 85 °C
Standard	EN 12530
Weight	0.415 kg
Swivel Radius	67.5 mm
Hardness of tread	Shore A 80
Load capacity (dynamic)	55 kg
Load capacity (static)	110 kg

Dimensions



Advantages at a glance

Roll performance	● ● ● ○ ○
Movement noise	● ● ● ○ ○
Attrition	● ● ● ○ ○
Corrosion resistance	● ● ● ○ ○