

STORA

2370PHP125P30-13

EAN 4031582357639

Swivel caster, housing made of pressed steel, bright zinc plated, blue passivated, double ball bearing swivel head, wheel axle with nut, bolt hole. Wheel center made of Polypropylene, Tread: TENTEprene (thermoplastic rubber), grey non-marking, precision ball bearing, conditional antistatic according TENTE specifications



BETTER MOBILITY. BETTER LIFE.



Picture may differ from original product

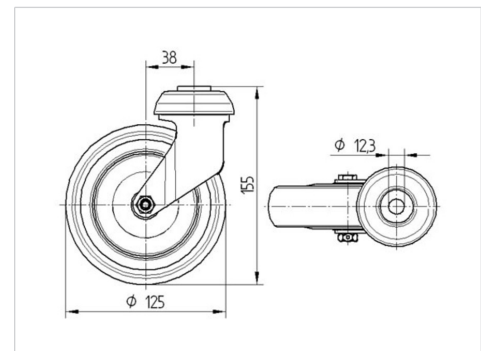
Technical Data

Wheel diameter	125 mm
Wheel width	32 mm
Caster width	60 mm
Center hole	13 mm
Dome-Ø	60 mm
Offset	38 mm
Swivel Interference	201 mm
Overall height	155 mm
Temperature	- 20 / + 60 °C
Standard	EN 12530
Weight	0.68 kg
Swivel Radius	100.5 mm
Hardness of tread	Shore A 87
Load capacity (dynamic)	100 kg
Load capacity (static)	200 kg

Advantages at a glance

Roll performance	● ● ● ○ ○
Movement noise	● ● ● ○ ○
Attrition	● ● ● ○ ○
Corrosion resistance	● ● ● ○ ○

Dimensions



Structure & Mounting

