

STORA

2370PJJ100P30-11

EAN 4031582300321

Swivel castor, housing made of pressed steel, bright zinc plated, blue passivated, double ball bearing swivel head, wheel axle with nut, bolt hole. Wheel centre made of Polypropylene, Tread: TENTEprene (thermoplastic rubber), grey non-marking, with synthetic threadguards, roller bearing



BETTER MOBILITY. BETTER LIFE.



Picture may differ from original product

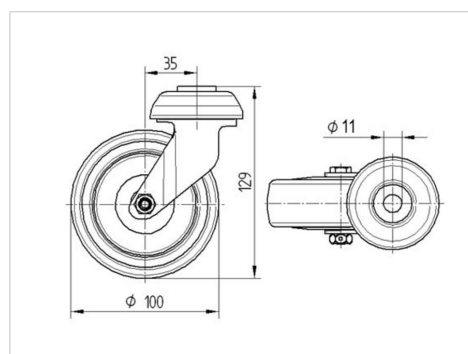
Technical Data

Wheel diameter	100 mm
Wheel width	32 mm
Centre hole	11 mm
Offset	35 mm
Swivel Interference	170 mm
Overall height	129 mm
Temperature	- 20 / + 60 °C
Standard	EN 12530
Weight	0.54 kg
Swivel Radius	85 mm
Hardness of tread	Shore A 87
Load capacity	80 kg
Load capacity (static)	160 kg

Advantages at a glance

Roll performance	● ● ● ○ ○
Movement noise	● ● ● ○ ○
Attrition	● ● ● ○ ○
Corrosion resistance	● ● ● ○ ○

Dimensions



Structure & Mounting

