

STORA

2370PJJ100P30-11

EAN 4031582300321

Swivel caster, housing made of pressed steel, bright zinc plated, blue passivated, double ball bearing swivel head, wheel axle with nut, bolt hole. Wheel center made of Polypropylene, Tread: TENTEprene (thermoplastic rubber), grey non-marking, with synthetic threadguards, roller bearing



BETTER MOBILITY. BETTER LIFE.

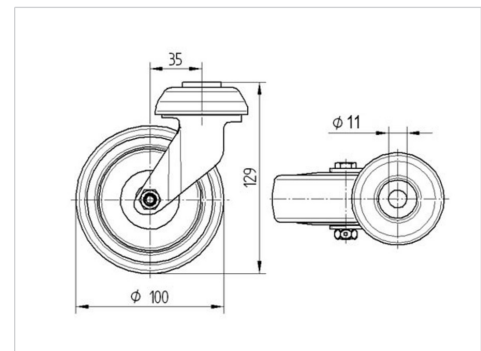


Picture may differ from original product

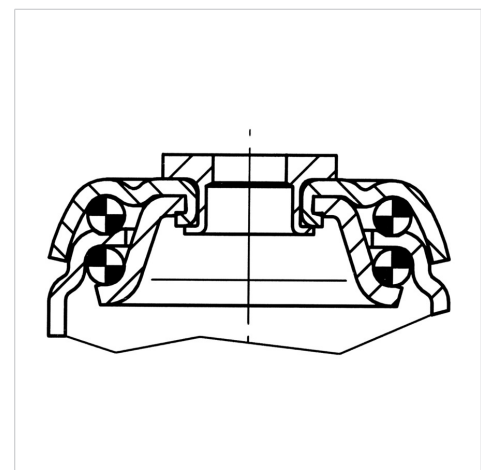
Technical Data

Wheel diameter	100 mm
Wheel width	32 mm
Center hole	11 mm
Offset	35 mm
Swivel Interference	170 mm
Overall height	129 mm
Temperature	- 20 / + 60 °C
Standard	EN 12530
Weight	0.54 kg
Swivel Radius	85 mm
Hardness of tread	Shore A 87
Load capacity (dynamic)	80 kg
Load capacity (static)	160 kg

Dimensions



Structure & Mounting



Advantages at a glance

Roll performance	● ● ● ○ ○
Movement noise	● ● ● ○ ○
Attrition	● ● ● ○ ○
Corrosion resistance	● ● ● ○ ○