

STORA

2370PJP075P30-10

EAN 4031582300345

Swivel castor, housing made of pressed steel, bright zinc plated, blue passivated, double ball bearing swivel head, wheel axle with nut, bolt hole. Wheel centre made of Polypropylene, Tread: TENTEprene (thermoplastic rubber), grey non-marking, precision ball bearing, with threadguards



BETTER MOBILITY. BETTER LIFE.



Picture may differ from original product

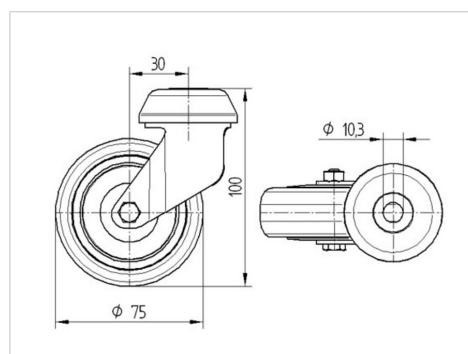
Technical Data

Wheel diameter	75 mm
Wheel width	25 mm
Castor width	50 mm
Centre hole	10,3 mm
Dome-Ø	43.5 mm
Offset	30 mm
Swivel Interference	135 mm
Overall height	100 mm
Temperature	- 20 / + 60 °C
Standard	EN 12530
Weight	0.304 kg
Swivel Radius	67.5 mm
Hardness of tread	Shore A 87
Load capacity	75 kg
Load capacity (static)	150 kg

Advantages at a glance

Roll performance	● ● ● ○ ○
Movement noise	● ● ● ○ ○
Attrition	● ● ● ○ ○
Corrosion resistance	● ● ● ○ ○

Dimensions



Structure & Mounting

