

AGILA

2470DIK075P40

EAN 4031582010343

Swivel castor, housing made of pressed steel, bright zinc plated, blue passivated, double ball bearing swivel head, plate fitting. Wheel centre made of pressed steel, Tread: solid rubber, grey non-marking, with threadguards, cone ball bearing



BETTER MOBILITY. BETTER LIFE.



Picture may differ from original product

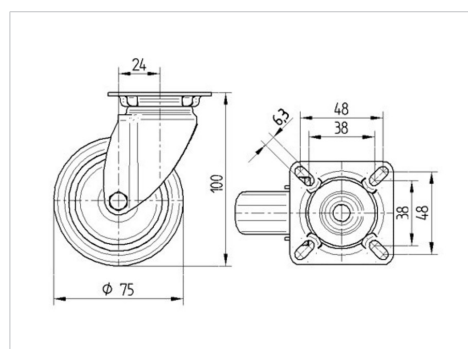
Technical Data

| | |
|------------------------|------------------|
| Wheel diameter | 75 mm |
| Wheel width | 25 mm |
| Castor width | 43 mm |
| Size of Plate | 60 x 60 mm |
| Plate hole centres | 48/38 x 48/38 mm |
| Plate hole | 6,3 mm |
| Dome-Ø | 43 mm |
| Offset | 24 mm |
| Swivel Interference | 123 mm |
| Overall height | 100 mm |
| Temperature | - 20 / + 85 °C |
| Standard | EN 12530 |
| Weight | 0.397 kg |
| Swivel Radius | 61.5 mm |
| Hardness of tread | Shore A 80 |
| Load capacity | 55 kg |
| Load capacity (static) | 110 kg |

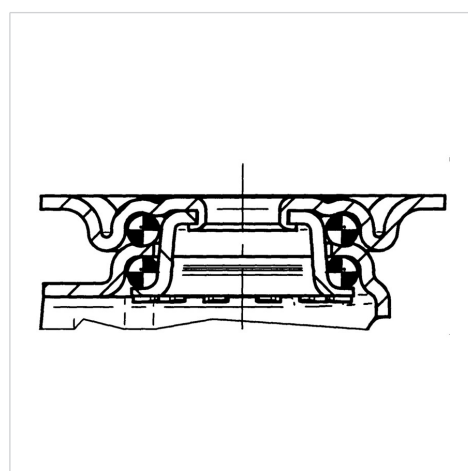
Advantages at a glance

| | |
|----------------------|-----------|
| Roll performance | ● ● ● ○ ○ |
| Movement noise | ● ● ● ○ ○ |
| Attrition | ● ● ● ○ ○ |
| Corrosion resistance | ● ● ● ○ ○ |

Dimensions



Structure & Mounting



AGILA

2470DIK075P40

EAN 4031582010343



BETTER MOBILITY. BETTER LIFE.

Structure & Mounting

