

AGILA

2470DIK075R47-32-35

EAN 4031582328196

Swivel caster, housing made of pressed steel, bright zinc plated, blue passivated, double ball bearing swivel head, expandable fitting (square). Wheel center made of pressed steel, Tread: solid rubber, grey non-marking, with threadguards, cone ball bearing Please indicate required tube diameter when ordering.



BETTER MOBILITY. BETTER LIFE.



Picture may differ from original product

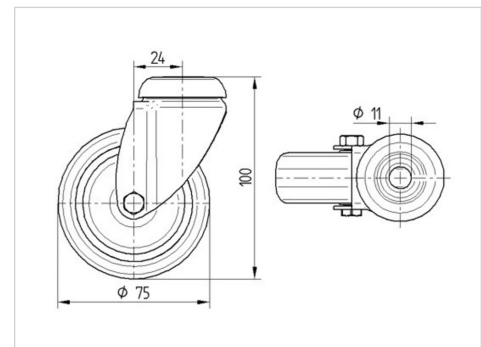
Technical Data

Wheel diameter	75 mm
Wheel width	25 mm
Expandable fitting- \emptyset	32 - 35 mm
Offset	24 mm
Swivel Interference	123 mm
Overall height	103 mm
Temperature	- 10 / + 40 °C
Standard	EN 12530
Weight	0.521 kg
Swivel Radius	61.5 mm
Hardness of tread	Shore A 80
Load capacity (dynamic)	55 kg
Load capacity (static)	110 kg

Advantages at a glance

Roll performance	● ● ● ○ ○
Movement noise	● ● ● ○ ○
Attrition	● ● ● ○ ○
Corrosion resistance	● ● ● ○ ○

Dimensions



Structure & Mounting

