

AGILA

2470DIK100R05-28

EAN 4031582300628

Swivel castor, housing made of pressed steel, bright zinc plated, blue passivated, double ball bearing swivel head, wheel axle with nut, solid plug fitting. Wheel centre made of pressed steel, Tread: solid rubber, grey non-marking, with threadguards, cone ball bearing



BETTER MOBILITY. BETTER LIFE.



Picture may differ from original product

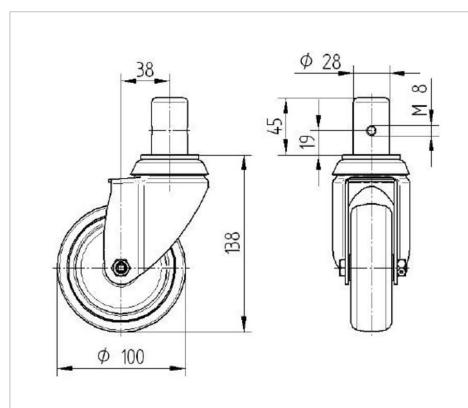
Technical Data

| | |
|------------------------|----------------|
| Wheel diameter | 100 mm |
| Wheel width | 32 mm |
| Bolt-Ø | 28 mm |
| Bolt length | 45 mm |
| Offset | 38 mm |
| Swivel Interference | 176 mm |
| Overall height | 138 mm |
| Temperature | - 20 / + 85 °C |
| Standard | EN 12530 |
| Weight | 1.111 kg |
| Swivel Radius | 88 mm |
| Hardness of tread | Shore A 80 |
| Load capacity | 80 kg |
| Load capacity (static) | 160 kg |

Advantages at a glance

| | |
|----------------------|-----------|
| Roll performance | ● ● ● ○ ○ |
| Movement noise | ● ● ● ○ ○ |
| Attrition | ● ● ● ○ ○ |
| Corrosion resistance | ● ● ● ○ ○ |

Dimensions



Structure & Mounting

