

# AGILA

2470DIK125R07-Ø31-35

EAN 4031582328356

Swivel caster, housing made of pressed steel, bright zinc plated, blue passivated, double ball bearing swivel head, wheel axle with nut, Expandable fittings, round. Wheel center made of pressed steel, Tread: solid rubber, grey non-marking, with threadguards, cone ball bearing. Please indicate required tube diameter when ordering.



BETTER MOBILITY. BETTER LIFE.



Picture may differ from original product

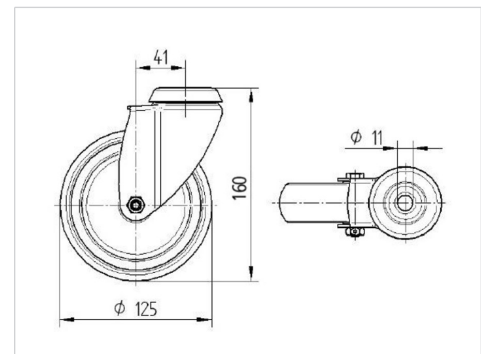
## Technical Data

Wheel diameter	125 mm
Wheel width	32 mm
Expandable fitting-Ø	31 - 35 mm
Offset	41 mm
Swivel Interference	207 mm
Overall height	163 mm
Temperature	- 10 / + 40 °C
Standard	EN 12530
Swivel Radius	103.5 mm
Hardness of tread	Shore A 80
Load capacity (dynamic)	100 kg
Load capacity (static)	200 kg

## Advantages at a glance

Roll performance	● ● ● ○ ○
Movement noise	● ● ● ○ ○
Attrition	● ● ● ○ ○
Corrosion resistance	● ● ● ○ ○

## Dimensions



## Structure & Mounting

