

AGILA

2470DIK125R47-27-30

EAN 4031582328387

Swivel caster, housing made of pressed steel, bright zinc plated, blue passivated, double ball bearing swivel head, wheel axle with nut, expandable fitting (square). Wheel center made of pressed steel, Tread: solid rubber, grey non-marking, with threadguards, cone ball bearing. Please indicate required tube diameter when ordering.



BETTER MOBILITY. BETTER LIFE.



Picture may differ from original product

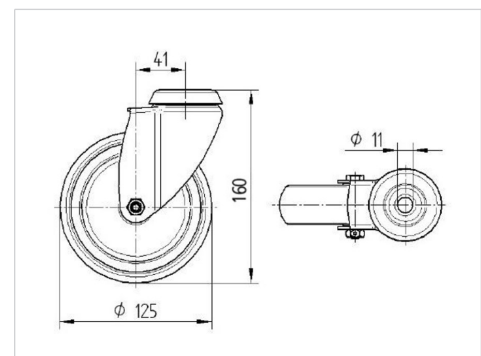
Technical Data

| | |
|-----------------------------------|----------------|
| Wheel diameter | 125 mm |
| Wheel width | 32 mm |
| Caster width | 60 mm |
| Expandable fitting- \varnothing | 27 - 30 mm |
| Dome- \varnothing | 60 mm |
| Offset | 41 mm |
| Swivel Interference | 207 mm |
| Overall height | 162.5 mm |
| Temperature | - 10 / + 40 °C |
| Standard | EN 12530 |
| Weight | 1.178 kg |
| Swivel Radius | 103.5 mm |
| Hardness of tread | Shore A 80 |
| Load capacity (dynamic) | 100 kg |
| Load capacity (static) | 200 kg |

Advantages at a glance

| | |
|----------------------|-----------|
| Roll performance | ● ● ● ○ ○ |
| Movement noise | ● ● ● ○ ○ |
| Attrition | ● ● ● ○ ○ |
| Corrosion resistance | ● ● ● ○ ○ |

Dimensions



Structure & Mounting

