

AGILA

2470PJI050P40

EAN 4031582010053

Swivel castor, housing made of pressed steel, bright zinc plated, blue passivated, double ball bearing swivel head, axle riveted, plate fitting. Wheel centre made of Polypropylene, Tread: TENTEprene (thermoplastic rubber), grey non-marking, plain bearing



BETTER MOBILITY. BETTER LIFE.



Picture may differ from original product

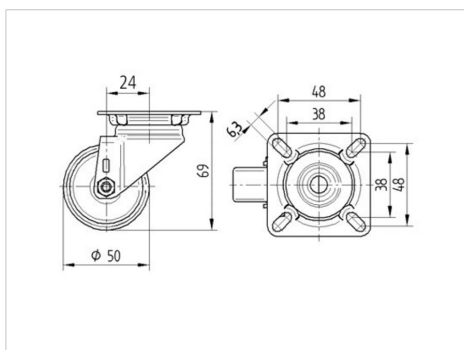
Technical Data

Wheel diameter	50 mm
Wheel width	19 mm
Castor width	43 mm
Size of Plate	60 x 60 mm
Plate hole centres	48/38 x 48/38 mm
Plate hole	6,3 mm
Dome-Ø	41 mm
Offset	24 mm
Swivel Interference	98 mm
Overall height	69 mm
Temperature	- 20 / + 60 °C
Standard	EN 12530
Weight	0.174 kg
Swivel Radius	49 mm
Hardness of tread	Shore A 87
Load capacity	40 kg
Load capacity (static)	80 kg

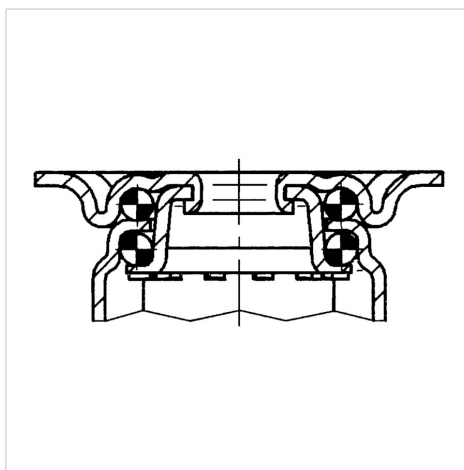
Advantages at a glance

Roll performance	● ● ● ○ ○
Movement noise	● ● ● ○ ○
Attrition	● ● ● ○ ○
Corrosion resistance	● ● ● ○ ○

Dimensions



Structure & Mounting



AGILA

2470PJI050P40

EAN 4031582010053



BETTER MOBILITY. BETTER LIFE.

Structure & Mounting

