

# AGILA

2470PJO075P30-11

EAN 4031582010398

Swivel caster, housing made of pressed steel, bright zinc plated, blue passivated, double ball bearing swivel head, bolt hole. Wheel center made of Polypropylene, Tread: TENTEprene (thermoplastic rubber), grey non-marking, plain bearing casters can be mounted with standard screws; various length screws can be used.



BETTER MOBILITY. BETTER LIFE.



Picture may differ from original product

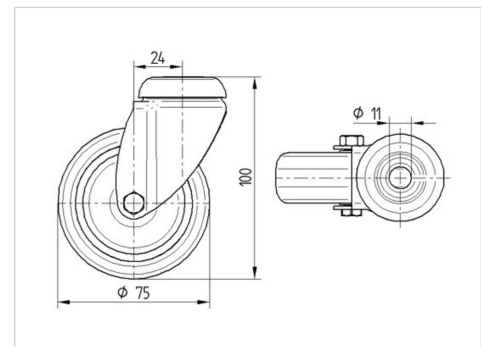
## Technical Data

|                         |                |
|-------------------------|----------------|
| Wheel diameter          | 75 mm          |
| Wheel width             | 25 mm          |
| Caster width            | 43 mm          |
| Center hole             | 11 mm          |
| Dome-Ø                  | 43 mm          |
| Offset                  | 24 mm          |
| Swivel Interference     | 123 mm         |
| Overall height          | 100 mm         |
| Temperature             | - 20 / + 60 °C |
| Standard                | EN 12530       |
| Weight                  | 0.213 kg       |
| Swivel Radius           | 61.5 mm        |
| Hardness of tread       | Shore A 87     |
| Load capacity (dynamic) | 75 kg          |
| Load capacity (static)  | 150 kg         |

## Advantages at a glance

|                      |           |
|----------------------|-----------|
| Roll performance     | ● ● ● ○ ○ |
| Movement noise       | ● ● ● ○ ○ |
| Attrition            | ● ● ● ○ ○ |
| Corrosion resistance | ● ● ● ○ ○ |

## Dimensions



## Structure & Mounting

