

# AGILA

## 2470PJP100P50

EAN 4031582010480

Swivel castor, housing made of pressed steel, bright zinc plated, blue passivated, double ball bearing swivel head, wheel axle with nut, plate fitting. Wheel centre made of Polypropylene, Tread: TENTEprene (thermoplastic rubber), grey non-marking, precision ball bearing, with threadguards



BETTER MOBILITY. BETTER LIFE.



Picture may differ from original product

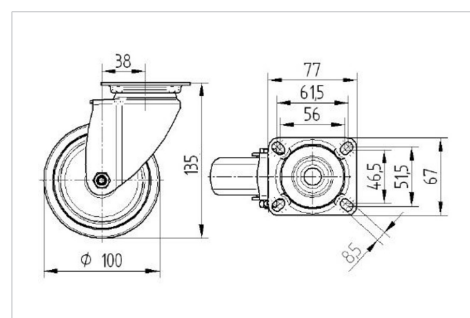
### Technical Data

Wheel diameter	100 mm
Wheel width	32 mm
Castor width	60 mm
Size of Plate	77 x 67 mm
Plate hole centres	61,5/56 x 51,5/46,5 mm
Plate hole	8,5 mm
Dome-Ø	60 mm
Offset	38 mm
Swivel Interference	176 mm
Overall height	135 mm
Temperature	- 20 / + 60 °C
Standard	EN 12530
Weight	0.623 kg
Swivel Radius	88 mm
Hardness of tread	Shore A 87
Load capacity	100 kg
Load capacity (static)	200 kg

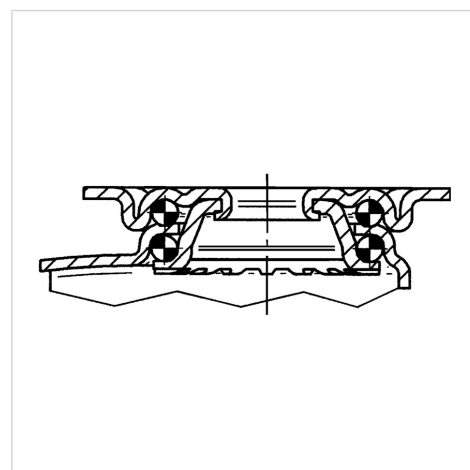
### Advantages at a glance

Roll performance	● ● ● ○ ○
Movement noise	● ● ● ○ ○
Attrition	● ● ● ○ ○
Corrosion resistance	● ● ● ○ ○

### Dimensions



### Structure & Mounting



# AGILA

2470PJP100P50

EAN 4031582010480



BETTER MOBILITY. BETTER LIFE.

## Structure & Mounting

