

## 2471DIK125R05-28

EAN 4031582301328

Swivel castor with directional lock, housing made of pressed steel, bright zinc plated, blue passivated, double ball bearing swivel head, wheel axle with nut, solid plug fitting. Wheel centre made of pressed steel, Tread: solid rubber, grey non-marking, with threadguards, cone ball bearing



BETTER MOBILITY. BETTER LIFE.



Picture may differ from original product

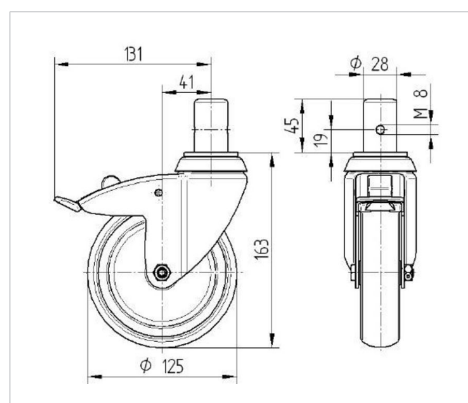
### Technical Data

|                        |                |
|------------------------|----------------|
| Wheel diameter         | 125 mm         |
| Wheel width            | 32 mm          |
| Bolt-Ø                 | 28 mm          |
| Bolt length            | 45 mm          |
| Offset                 | 41 mm          |
| Swivel Interference    | 262 mm         |
| Overall height         | 163 mm         |
| Temperature            | - 20 / + 85 °C |
| Standard               | EN 12530       |
| Weight                 | 1.487 kg       |
| Swivel Radius          | 131 mm         |
| Hardness of tread      | Shore A 80     |
| Load capacity          | 100 kg         |
| Load capacity (static) | 200 kg         |

### Advantages at a glance

|                      |           |
|----------------------|-----------|
| Roll performance     | ● ● ● ○ ○ |
| Movement noise       | ● ● ● ○ ○ |
| Attrition            | ● ● ● ○ ○ |
| Corrosion resistance | ● ● ● ○ ○ |

### Dimensions



### Structure & Mounting

