

2471PJO125P50

EAN 4031582301373

Swivel caster with directional lock, housing made of pressed steel, bright zinc plated, blue passivated, double ball bearing swivel head, wheel axle with nut, plate fitting. Wheel center made of Polypropylene, Tread: TENTEprene (thermoplastic rubber), grey non-marking, plain bearing



BETTER MOBILITY. BETTER LIFE.

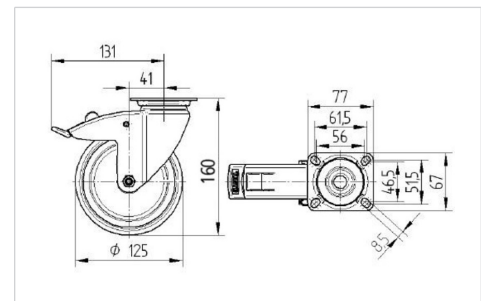


Picture may differ from original product

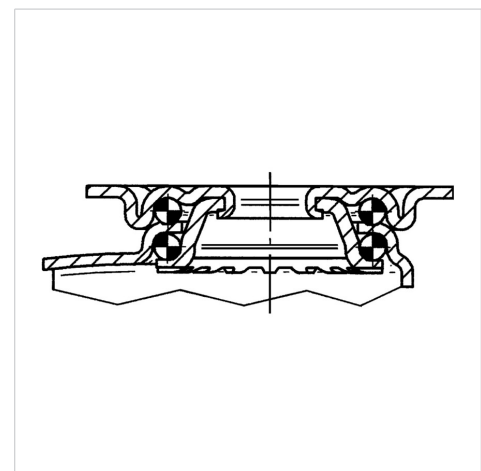
Technical Data

| | |
|-------------------------|------------------------|
| Wheel diameter | 125 mm |
| Wheel width | 32 mm |
| Caster width | 60 mm |
| Plate size | 77 x 67 mm |
| Plate hole centers | 61,5/56 x 51,5/46,5 mm |
| Plate hole | 8,5 mm |
| Dome-Ø | 60 mm |
| Offset | 41 mm |
| Swivel Interference | 262 mm |
| Overall height | 160 mm |
| Temperature | - 20 / + 60 °C |
| Standard | EN 12530 |
| Weight | 0.867 kg |
| Swivel Radius | 131 mm |
| Hardness of tread | Shore A 87 |
| Load capacity (dynamic) | 100 kg |
| Load capacity (static) | 200 kg |

Dimensions



Structure & Mounting



Advantages at a glance

| | |
|----------------------|-----------|
| Roll performance | ● ● ● ○ ○ |
| Movement noise | ● ● ● ○ ○ |
| Attrition | ● ● ● ○ ○ |
| Corrosion resistance | ● ● ● ○ ○ |



BETTER MOBILITY. BETTER LIFE.

2471PJO125P50

EAN 4031582301373

Structure & Mounting

