

# AGILA

2475PJI050P40

EAN 4031582050035

Swivel castor with wheel brake, housing made of pressed steel, bright zinc plated, blue passivated, double ball bearing swivel head, axle riveted, plate fitting. Wheel centre made of Polypropylene, Tread: TENTEprene (thermoplastic rubber), grey non-marking, plain bearing



BETTER MOBILITY. BETTER LIFE.

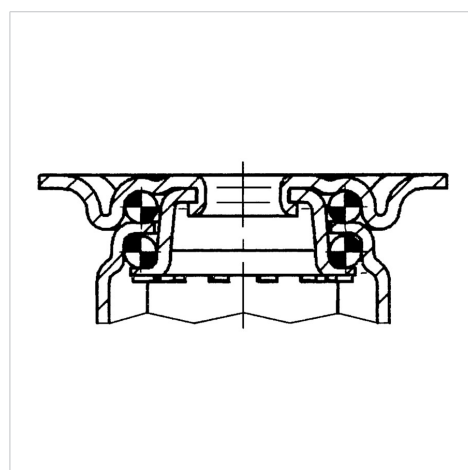


Picture may differ from original product

## Technical Data

Wheel diameter	50 mm
Wheel width	19 mm
Castor width	43 mm
Size of Plate	60 x 60 mm
Plate hole centres	48/38 x 48/38 mm
Plate hole	6,3 mm
Dome-Ø	41 mm
Offset	24 mm
Swivel Interference	164 mm
Overall height	69 mm
Temperature	- 20 / + 60 °C
Standard	EN 12530
Weight	0.192 kg
Swivel Radius	82 mm
Hardness of tread	Shore A 87
Load capacity	40 kg
Load capacity (static)	80 kg

## Structure & Mounting



## Advantages at a glance

Roll performance	● ● ● ○ ○
Movement noise	● ● ● ○ ○
Attrition	● ● ● ○ ○
Corrosion resistance	● ● ● ○ ○

# AGILA

2475PJI050P40

EAN 4031582050035



BETTER MOBILITY. BETTER LIFE.

## Structure & Mounting

