

# AGILA

2477DIK075R07-Ø27-30

EAN 4031582325881

Swivel caster with total lock, trailing end of caster, housing made of pressed steel, bright zinc plated, blue passivated, double ball bearing swivel head, Expandable fittings, round. Wheel center made of pressed steel, Tread: solid rubber, grey non-marking, with threadguards, cone ball bearing. Please indicate required tube diameter when ordering.



BETTER MOBILITY. BETTER LIFE.



Picture may differ from original product

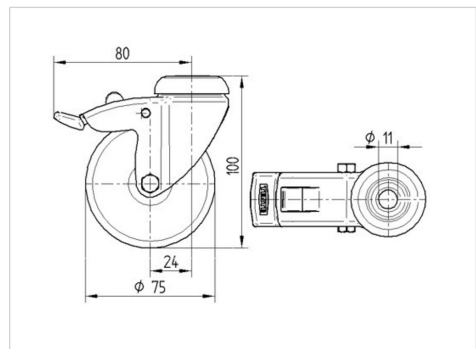
## Technical Data

Wheel diameter	75 mm
Wheel width	25 mm
Expandable fitting-Ø	27 - 30 mm
Offset	24 mm
Swivel Interference	160 mm
Overall height	103 mm
Temperature	- 10 / + 40 °C
Standard	EN 12530
Weight	0.552 kg
Swivel Radius	80 mm
Hardness of tread	Shore A 80
Load capacity (dynamic)	55 kg
Load capacity (static)	110 kg

## Advantages at a glance

Roll performance	● ● ● ○ ○
Movement noise	● ● ● ○ ○
Attrition	● ● ● ○ ○
Corrosion resistance	● ● ● ○ ○

## Dimensions



## Structure & Mounting

