

AGILA

2477DIK125P50

EAN 4031582301908

Swivel caster with total lock, trailing end of caster, housing made of pressed steel, bright zinc plated, blue passivated, double ball bearing swivel head, wheel axle with nut, plate fitting. Wheel center made of pressed steel, Tread: solid rubber, grey non-marking, with threadguards, cone ball bearing



BETTER MOBILITY. BETTER LIFE.

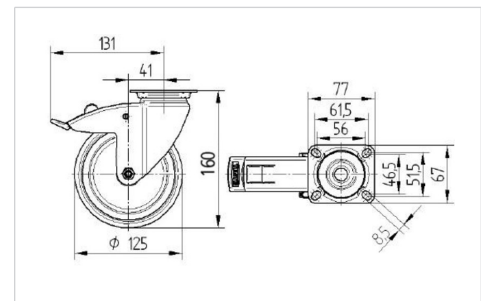


Picture may differ from original product

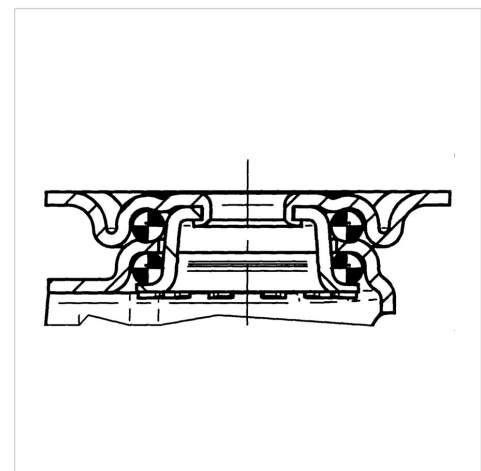
Technical Data

| | |
|-------------------------|------------------------|
| Wheel diameter | 125 mm |
| Wheel width | 32 mm |
| Caster width | 60 mm |
| Plate size | 77 x 67 mm |
| Plate hole centers | 61,5/56 x 51,5/46,5 mm |
| Plate hole | 8,5 mm |
| Dome-Ø | 60 mm |
| Offset | 41 mm |
| Swivel Interference | 262 mm |
| Overall height | 160 mm |
| Temperature | - 20 / + 80 °C |
| Standard | EN 12530 |
| Weight | 1.277 kg |
| Swivel Radius | 131 mm |
| Hardness of tread | Shore A 80 |
| Load capacity (dynamic) | 100 kg |
| Load capacity (static) | 200 kg |

Dimensions



Structure & Mounting



Advantages at a glance

| | |
|----------------------|-----------|
| Roll performance | ● ● ● ○ ○ |
| Movement noise | ● ● ● ○ ○ |
| Attrition | ● ● ● ○ ○ |
| Corrosion resistance | ● ● ● ○ ○ |

AGILA

2477DIK125P50

EAN 4031582301908



BETTER MOBILITY. BETTER LIFE.

Structure & Mounting

