

# AGILA

2477DIK125R05-28

EAN 4031582301915

Swivel caster with total lock, trailing end of caster, housing made of pressed steel, bright zinc plated, blue passivated, double ball bearing swivel head, wheel axle with nut, solid plug fitting. Wheel center made of pressed steel, Tread: solid rubber, grey non-marking, with threadguards, cone ball bearing



BETTER MOBILITY. BETTER LIFE.

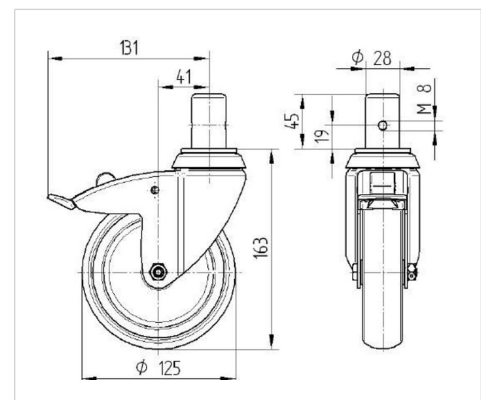


Picture may differ from original product

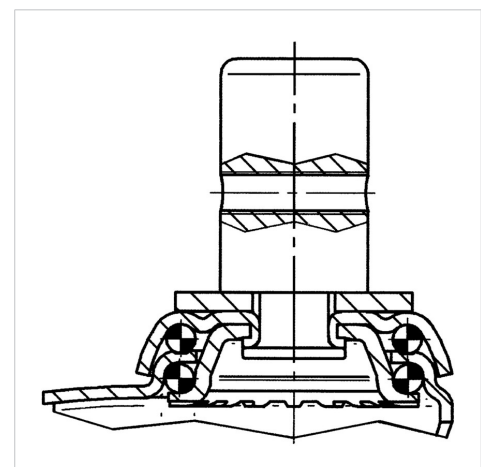
## Technical Data

|                         |                |
|-------------------------|----------------|
| Wheel diameter          | 125 mm         |
| Wheel width             | 32 mm          |
| Caster width            | 60 mm          |
| Bolt-Ø                  | 28 mm          |
| Bolt length             | 45 mm          |
| Dome-Ø                  | 60 mm          |
| Offset                  | 41 mm          |
| Swivel Interference     | 262 mm         |
| Overall height          | 163 mm         |
| Temperature             | - 20 / + 80 °C |
| Standard                | EN 12530       |
| Weight                  | 1.486 kg       |
| Swivel Radius           | 131 mm         |
| Hardness of tread       | Shore A 80     |
| Load capacity (dynamic) | 100 kg         |
| Load capacity (static)  | 200 kg         |

## Dimensions



## Structure & Mounting



## Advantages at a glance

|                      |           |
|----------------------|-----------|
| Roll performance     | ● ● ● ○ ○ |
| Movement noise       | ● ● ● ○ ○ |
| Attrition            | ● ● ● ○ ○ |
| Corrosion resistance | ● ● ● ○ ○ |