

AGILA

2477UAP125P30-11

EAN 4031582302264

Swivel caster with total lock, trailing end of caster, housing made of pressed steel, bright zinc plated, blue passivated, double ball bearing swivel head, wheel axle with nut, bolt hole. Wheel center made of Polyamide, Tread: Polyurethane, precision ball bearing, with threadguards casters can be mounted with standard screws; various length screws can be used.



BETTER MOBILITY. BETTER LIFE.

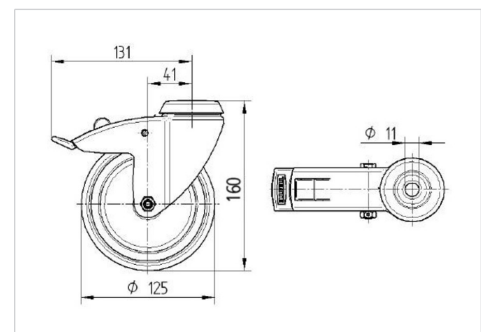


Picture may differ from original product

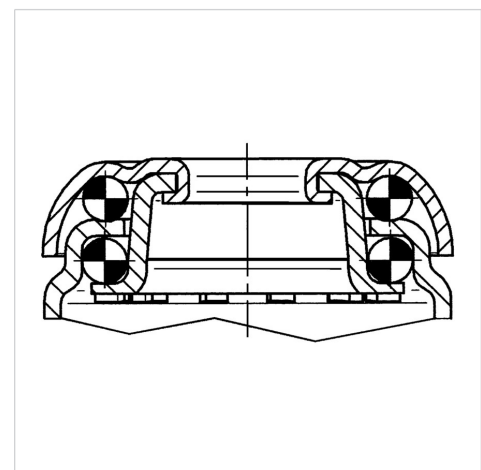
Technical Data

| | |
|-------------------------|----------------|
| Wheel diameter | 125 mm |
| Wheel width | 32 mm |
| Caster width | 60 mm |
| Center hole | 11 mm |
| Dome-Ø | 60 mm |
| Offset | 41 mm |
| Swivel Interference | 262 mm |
| Overall height | 160 mm |
| Temperature | - 25 / - 25 °C |
| Standard | EN 12530 |
| Weight | 0.972 kg |
| Swivel Radius | 131 mm |
| Hardness of tread | Shore D 42 |
| Load capacity (dynamic) | 100 kg |
| Load capacity (static) | 200 kg |

Dimensions



Structure & Mounting



Advantages at a glance

| | |
|----------------------|-----------|
| Roll performance | ● ● ● ○ ○ |
| Movement noise | ● ● ● ○ ○ |
| Attrition | ● ● ● ● ○ |
| Corrosion resistance | ● ● ● ○ ○ |