

AGILA

2478DIK125P50

EAN 4031582302363

Fixed caster, Fork made of pressed steel, bright zinc plated, blue passivated, wheel axle with nut, plate fitting.

Longside of plate 90° off track.

Wheel center made of pressed steel, Tread: solid rubber, grey non-marking, with threadguards, cone ball bearing



BETTER MOBILITY. BETTER LIFE.

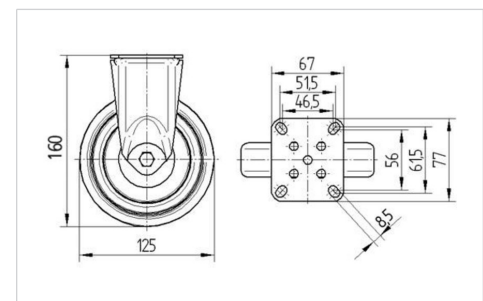


Picture may differ from original product

Technical Data

| | |
|-------------------------|------------------------|
| Wheel diameter | 125 mm |
| Wheel width | 32 mm |
| Caster width | 60 mm |
| Plate size | 77 x 67 mm |
| Plate hole centers | 61,5/56 x 51,5/46,5 mm |
| Plate hole | 8,5 mm |
| Dome-Ø | 60 mm |
| Overall height | 160 mm |
| Temperature | - 20 / + 80 °C |
| Standard | EN 12530 |
| Weight | 1.002 kg |
| Hardness of tread | Shore A 80 |
| Load capacity (dynamic) | 100 kg |
| Load capacity (static) | 200 kg |

Dimensions



Advantages at a glance

| | |
|----------------------|-----------|
| Roll performance | ● ● ● ○ ○ |
| Movement noise | ● ● ● ○ ○ |
| Attrition | ● ● ● ○ ○ |
| Corrosion resistance | ● ● ● ○ ○ |

AGILA

2478DIK125P50

EAN 4031582302363



BETTER MOBILITY. BETTER LIFE.

Structure & Mounting

