

STORA

2875ZHP125P30-11 LEFT

EAN 4031582365344

, housing made of pressed steel, bright zinc plated, blue passivated, double ball bearing swivel head, wheel axle with nut.
Designed for the following pallet size: track width: approx. 2,75 mm, groove width: approx. 5,7 mm, groove depth: > 10 mm.



BETTER MOBILITY. BETTER LIFE.

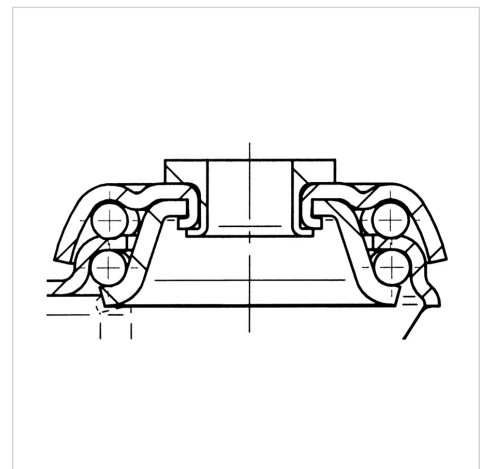


Picture may differ from original product

Technical Data

Wheel diameter	125 mm
Wheel width	32 mm
Center hole	11 mm
Offset	40 mm
Swivel Interference	205 mm
Overall height	153 mm
Temperature	- 20 / + 60 °C
Standard	EN 12530
Weight	0.886 kg
Swivel Radius	102.5 mm
Load capacity (dynamic)	100 kg
Load capacity (static)	200 kg

Structure & Mounting



Advantages at a glance

Roll performance	● ● ● ○ ○
Movement noise	● ● ● ○ ○
Attrition	● ● ● ● ○
Corrosion resistance	● ● ● ○ ○

STORA

2875ZHP125P30-11 LEFT

EAN 4031582365344



BETTER MOBILITY. BETTER LIFE.

Structure & Mounting

