

# INTEGRAL TWIN

2944UAP125R36-32S30 4xM6

EAN 4031582302554

Swivel Caster with central, total or directional lock, Frame made of pressed steel, precision ball bearing in swivel head, housing with synthetic cover, stem with cam hole for profile bars, short version. Wheel center made of Polyamide, Tread: Polyurethane, precision ball bearing  
Hint: TÜV Süd certified product.



BETTER MOBILITY. BETTER LIFE.

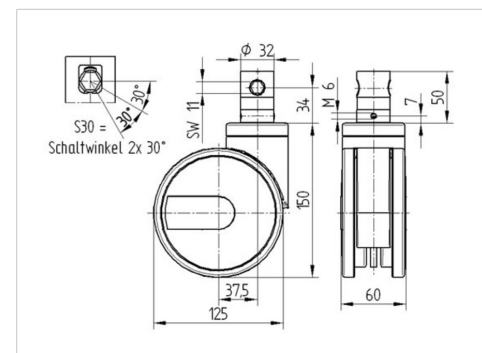


Picture may differ from original product

## Technical Data

Wheel diameter	125 mm
Wheel width	12 mm
Caster width	63 mm
Bolt-Ø	32 mm
Bolt length	51 mm
Dome-Ø	61.5 mm
Offset	37.5 mm
Swivel Interference	206 mm
Overall height	150 mm
Temperature	- 25 / - 25 °C
Standard	EN 12531
Weight	1.16 kg
Swivel Radius	103 mm
Hardness of tread	Shore D 42
Load capacity (dynamic)	125 kg
Load capacity (static)	375 kg

## Dimensions



## Advantages at a glance

Roll performance	● ● ● ● ●
Movement noise	● ● ● ○ ○
Attrition	● ● ● ○ ○
Corrosion resistance	● ● ● ○ ○

# INTEGRAL TWIN

2944UAP125R36-32S30 4xM6

EAN 4031582302554



BETTER MOBILITY. BETTER LIFE.

## Structure & Mounting

---



Design Award Winner  
German Designer Club



reddot design award  
winner



TUV  
SUD  
Production monitored  
Type tested