

AGILA TWIN

2970PJP075P50

EAN 4031582302738

Swivel castor, housing made of pressed steel, bright zinc plated, blue passivated, double ball bearing swivel head, wheel axle with nut, plate fitting. Wheel centre made of Polypropylene, Tread: TENTEprene (thermoplastic rubber), grey non-marking, precision ball bearing, with threadguards



BETTER MOBILITY. BETTER LIFE.



Picture may differ from original product

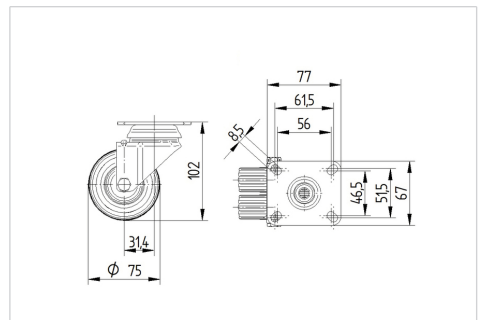
Technical Data

Wheel diameter	75 mm
Wheel width	25 mm
Castor width	71 mm
Size of Plate	77 x 67 mm
Plate hole centres	61,5/56 x 51,5/46,5 mm
Plate hole	8,5 mm
Dome-Ø	65 mm
Offset	31.4 mm
Swivel Interference	145 mm
Overall height	102 mm
Temperature	- 20 / + 60 °C
Standard	EN 12530
Weight	0.631 kg
Swivel Radius	72.5 mm
Hardness of tread	Shore A 87
Load capacity	100 kg
Load capacity (static)	200 kg

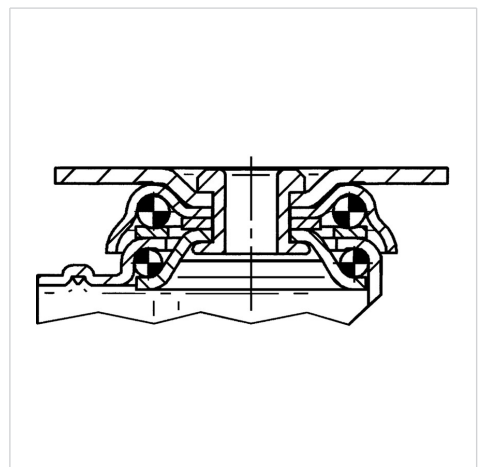
Advantages at a glance

Roll performance	● ● ● ○ ○
Movement noise	● ● ● ○ ○
Attrition	● ● ● ○ ○
Corrosion resistance	● ● ● ○ ○

Dimensions



Structure & Mounting



AGILA TWIN

2970PJP075P50

EAN 4031582302738



BETTER MOBILITY. BETTER LIFE.

Structure & Mounting

