

AGILA TWIN

2975U00050P40

EAN 4031582302851

Swivel caster with wheel brake, housing made of pressed steel, bright zinc plated, blue passivated, double ball bearing swivel head, wheel axle with nut, plate fitting. Wheel center made of Polyamide, plain bearing



BETTER MOBILITY. BETTER LIFE.

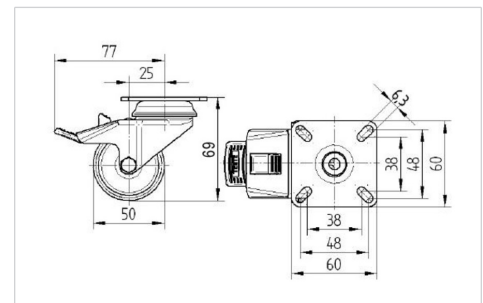


Picture may differ from original product

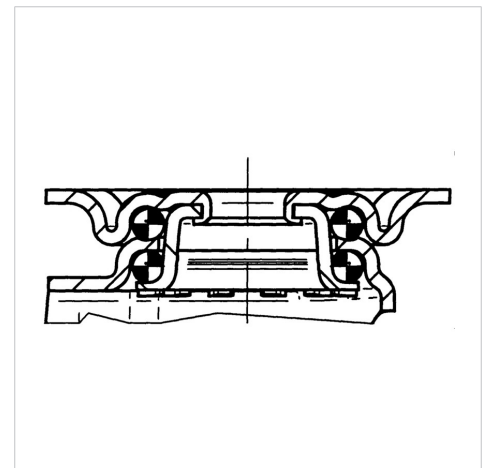
Technical Data

| | |
|-------------------------|------------------|
| Wheel diameter | 50 mm |
| Wheel width | 20 mm |
| Caster width | 57 mm |
| Plate size | 60 x 60 mm |
| Plate hole centers | 48/38 x 48/38 mm |
| Plate hole | 6,3 mm |
| Dome-Ø | 53 mm |
| Offset | 25 mm |
| Swivel Interference | 155 mm |
| Overall height | 69 mm |
| Temperature | - 25 / - 25 °C |
| Standard | EN 12530 |
| Weight | 0.268 kg |
| Swivel Radius | 77 mm |
| Hardness of tread | Shore D 75 |
| Load capacity (dynamic) | 70 kg |
| Load capacity (static) | 140 kg |

Dimensions



Structure & Mounting



Advantages at a glance

| | |
|----------------------|-----------|
| Roll performance | ● ● ● ○ ○ |
| Movement noise | ● ● ● ○ ○ |
| Attrition | ● ● ● ● ● |
| Corrosion resistance | ● ● ● ○ ○ |

AGILA TWIN

2975U00050P40

EAN 4031582302851



BETTER MOBILITY. BETTER LIFE.

Structure & Mounting

