

# ALPHA

3370POR125P62 RAL9011

EAN 4031582360783

Swivel caster, housing made of pressed steel, bright zinc plated, blue passivated, double ball bearing swivel head, wheel axle with nut, plate fitting. Wheel center made Polypropylene, roller bearing



BETTER MOBILITY. BETTER LIFE.

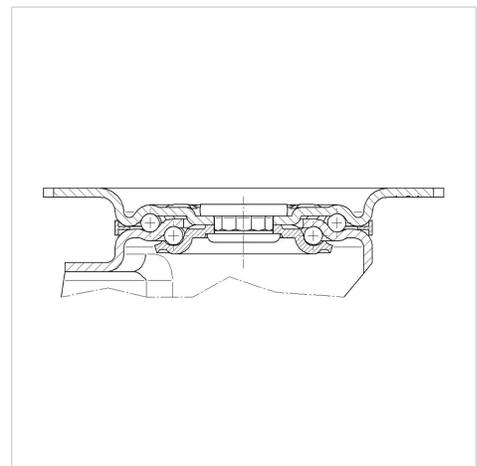


Picture may differ from original product

## Technical Data

Wheel diameter	125 mm
Wheel width	40 mm
Plate size	105 x 85 mm
Plate hole centers	80/77 x 60 mm
Plate hole	9 mm
Offset	40 mm
Swivel Interference	205 mm
Overall height	155 mm
Temperature	- 20 / + 60 °C
Standard	EN 12532
Weight	0.862 kg
Swivel Radius	102.5 mm
Hardness of tread	Shore D 65
Load capacity (dynamic)	125 kg
Load capacity (static)	200 kg

## Structure & Mounting



## Advantages at a glance

Roll performance	● ● ● ○ ○
Movement noise	● ● ● ○ ○
Attrition	● ● ● ● ●
Corrosion resistance	● ● ● ○ ○

# ALPHA

3370POR125P62 RAL9011

EAN 4031582360783



BETTER MOBILITY. BETTER LIFE.

## Structure & Mounting

