

ALPHA

3430POI058P60-80x60

EAN 4031582303322

Swivel castor, housing made of pressed steel, bright zinc plated, blue passivated, single ball race swivel head, axle riveted, plate fitting. Wheel centre made of Polypropylene, plain bearing



BETTER MOBILITY. BETTER LIFE.



Picture may differ from original product

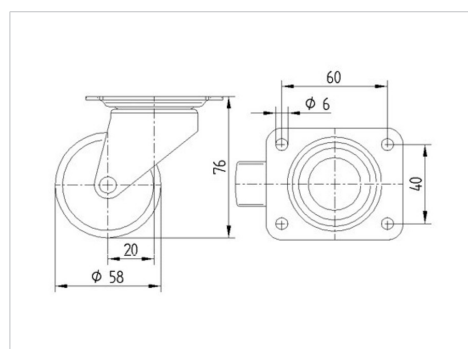
Technical Data

Wheel diameter	58 mm
Wheel width	28 mm
Castor width	50 mm
Size of Plate	80 x 60 mm
Plate hole centres	60 x 40 mm
Plate hole	7,5 mm
Dome-Ø	50.5 mm
Offset	21 mm
Swivel Interference	100 mm
Overall height	76 mm
Temperature	- 20 / + 60 °C
Standard	EN 12532
Weight	0.269 kg
Swivel Radius	50 mm
Hardness of tread	Shore D 65
Load capacity	100 kg
Load capacity (static)	200 kg

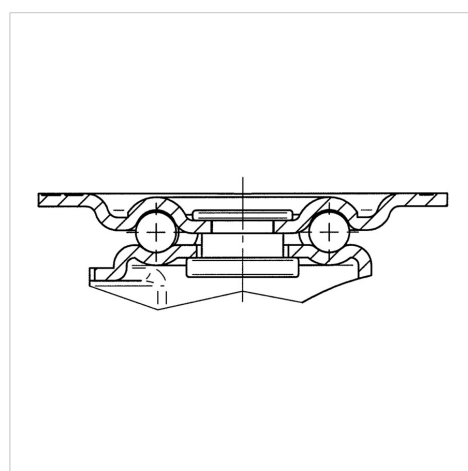
Advantages at a glance

Roll performance	● ● ● ○ ○
Movement noise	● ● ● ○ ○
Attrition	● ● ● ● ●
Corrosion resistance	● ● ● ○ ○

Dimensions



Structure & Mounting



ALPHA

3430POI058P60-80x60

EAN 4031582303322



BETTER MOBILITY. BETTER LIFE.

Structure & Mounting

