

ALPHA

3430POI058P60-80x60

EAN 4031582303322

Swivel caster, housing made of pressed steel, bright zinc plated, blue passivated, single ball race swivel head, axle riveted, plate fitting. Wheel center made of Polypropylene, plain bearing



BETTER MOBILITY. BETTER LIFE.

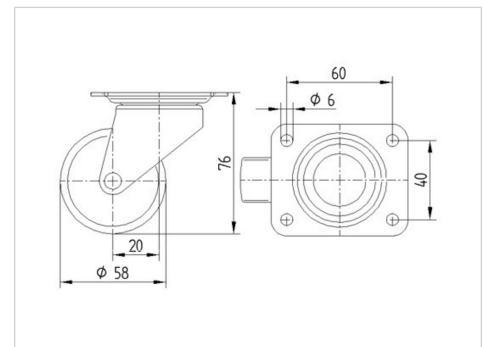


Picture may differ from original product

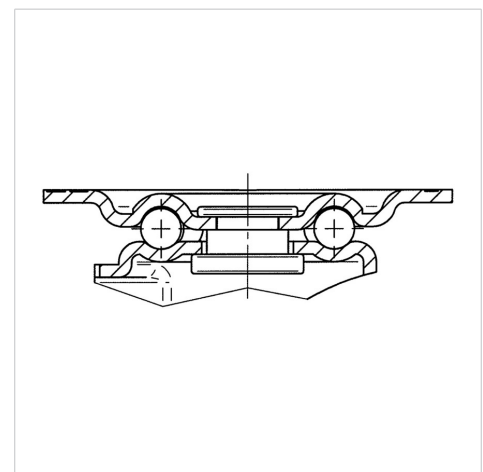
Technical Data

Wheel diameter	58 mm
Wheel width	28 mm
Caster width	50 mm
Plate size	80 x 60 mm
Plate hole centers	60 x 40 mm
Plate hole	7,5 mm
Dome-Ø	50.5 mm
Offset	21 mm
Swivel Interference	100 mm
Overall height	76 mm
Temperature	- 20 / + 60 °C
Standard	EN 12532
Weight	0.269 kg
Swivel Radius	50 mm
Hardness of tread	Shore D 65
Load capacity (dynamic)	100 kg
Load capacity (static)	200 kg

Dimensions



Structure & Mounting



Advantages at a glance

Roll performance	● ● ● ○ ○
Movement noise	● ● ● ○ ○
Attrition	● ● ● ● ●
Corrosion resistance	● ● ● ○ ○

ALPHA

3430POI058P60-80x60

EAN 4031582303322



BETTER MOBILITY. BETTER LIFE.

Structure & Mounting

