

ALPHA

3430POO065P60-95x70

EAN 4031582303339

Swivel caster, housing made of pressed steel, bright zinc plated, blue passivated, single ball race swivel head, axle riveted, plate fitting. Wheel center made of Polypropylene, plain bearing



BETTER MOBILITY. BETTER LIFE.

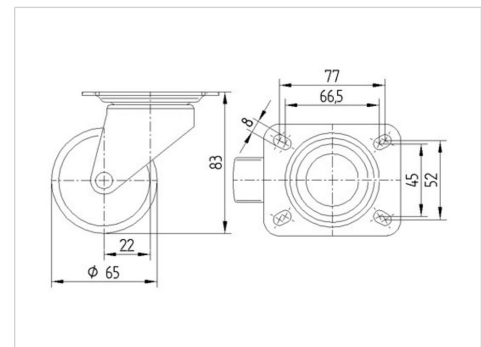


Picture may differ from original product

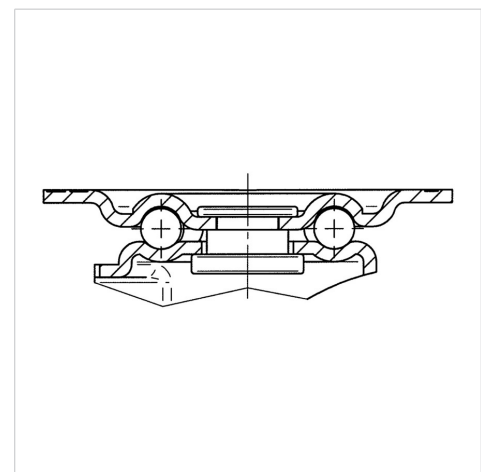
Technical Data

Wheel diameter	65 mm
Wheel width	30 mm
Caster width	65 mm
Plate size	95 x 70 mm
Plate hole centers	77/66,5 x 52/45 mm
Plate hole	8 mm
Dome- \varnothing	65 mm
Offset	22 mm
Swivel Interference	109 mm
Overall height	83 mm
Temperature	- 20 / + 60 °C
Standard	EN 12532
Weight	0.401 kg
Swivel Radius	54.5 mm
Hardness of tread	Shore D 65
Load capacity (dynamic)	120 kg
Load capacity (static)	240 kg

Dimensions



Structure & Mounting



Advantages at a glance

Roll performance	● ● ● ○ ○
Movement noise	● ● ● ○ ○
Attrition	● ● ● ● ●
Corrosion resistance	● ● ● ○ ○

ALPHA

3430POO065P60-95x70

EAN 4031582303339



BETTER MOBILITY. BETTER LIFE.

Structure & Mounting

