



BETTER MOBILITY. BETTER LIFE.

## 3438POO065P60-95x54

EAN 4031582303346

Fixed castor, Fork made of pressed steel, bright zinc plated, blue passivated, axle riveted, plate fitting.

Wheel centre made of Polypropylene, plain bearing

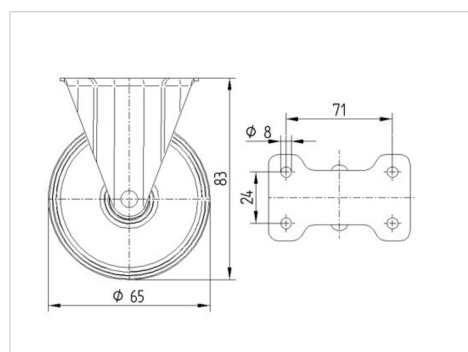


Picture may differ from original product

### Technical Data

Wheel diameter	65 mm
Wheel width	30 mm
Castor width	54 mm
Size of Plate	95 x 54 mm
Plate hole centres	71 x 24 mm
Plate hole	9 mm
Dome-Ø	54 mm
Overall height	83 mm
Temperature	- 20 / + 60 °C
Standard	EN 12532
Weight	0.234 kg
Hardness of tread	Shore D 65
Load capacity	120 kg
Load capacity (static)	240 kg

### Dimensions



### Advantages at a glance

Roll performance	● ● ● ○ ○
Movement noise	● ● ● ○ ○
Attrition	● ● ● ● ●
Corrosion resistance	● ● ● ○ ○



BETTER MOBILITY. BETTER LIFE.

## 3438POO065P60-95x54

EAN 4031582303346

### Structure & Mounting

---

