

3438POO065P60-95x54

EAN 4031582303346

Fixed caster, Fork made of pressed steel, bright zinc plated, blue passivated, axle riveted, plate fitting.
Wheel center made of Polypropylene, plain bearing



BETTER MOBILITY. BETTER LIFE.

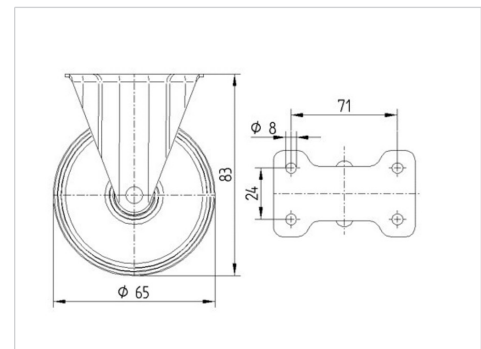


Picture may differ from original product

Technical Data

Wheel diameter	65 mm
Wheel width	30 mm
Caster width	54 mm
Plate size	95 x 54 mm
Plate hole centers	71 x 24 mm
Plate hole	9 mm
Dome-Ø	54 mm
Overall height	83 mm
Temperature	- 20 / + 60 °C
Standard	EN 12532
Weight	0.234 kg
Hardness of tread	Shore D 65
Load capacity (dynamic)	120 kg
Load capacity (static)	240 kg

Dimensions



Advantages at a glance

Roll performance	● ● ● ○ ○
Movement noise	● ● ● ○ ○
Attrition	● ● ● ● ●
Corrosion resistance	● ● ● ○ ○



BETTER MOBILITY. BETTER LIFE.

3438POO065P60-95x54

EAN 4031582303346

Structure & Mounting

