

ALPHA

3470DVR100P62

EAN 4031582010244

Swivel caster, housing made of pressed steel, bright zinc plated, blue passivated, double ball bearing swivel head, wheel axle with nut, dustguard, plate fitting. Wheel center made of pressed steel, Tread: solid rubber, black, roller bearing



BETTER MOBILITY. BETTER LIFE.

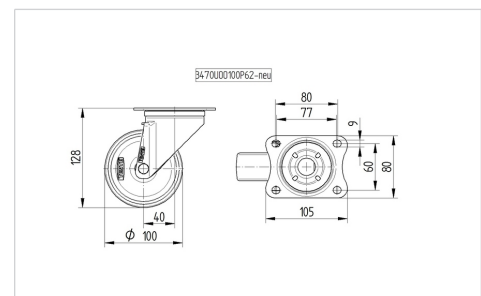


Picture may differ from original product

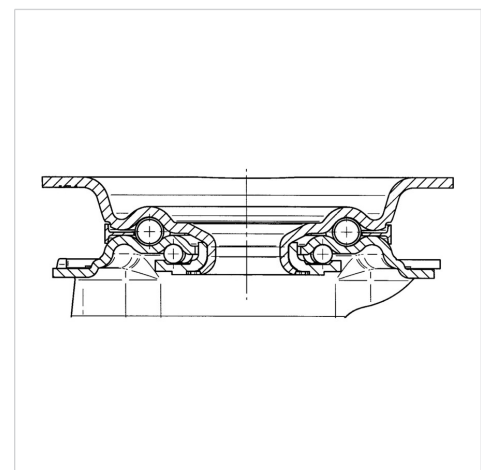
Technical Data

Wheel diameter	100 mm
Wheel width	30 mm
Caster width	75 mm
Plate size	105 x 80 mm
Plate hole centers	80/77 x 60 mm
Plate hole	9 mm
Dome-Ø	75 mm
Offset	40 mm
Swivel Interference	180 mm
Overall height	128 mm
Temperature	- 20 / + 85 °C
Standard	EN 12532
Weight	0.933 kg
Swivel Radius	90 mm
Hardness of tread	Shore A 80
Load capacity (dynamic)	70 kg
Load capacity (static)	140 kg

Dimensions



Structure & Mounting



Advantages at a glance

Roll performance	● ● ● ○ ○
Movement noise	● ● ● ○ ○
Attrition	● ● ○ ○ ○
Corrosion resistance	● ● ● ○ ○

ALPHA

3470DVR100P62

EAN 4031582010244



BETTER MOBILITY. BETTER LIFE.

Structure & Mounting

