

ALPHA

3470DVR100R05-20x45

EAN 4031582303575

Swivel castor, housing made of pressed steel, bright zinc plated, blue passivated, double ball bearing swivel head, wheel axle with nut, solid plug fitting. Wheel centre made of pressed steel, Tread: solid rubber, black, roller bearing



BETTER MOBILITY. BETTER LIFE.



Picture may differ from original product

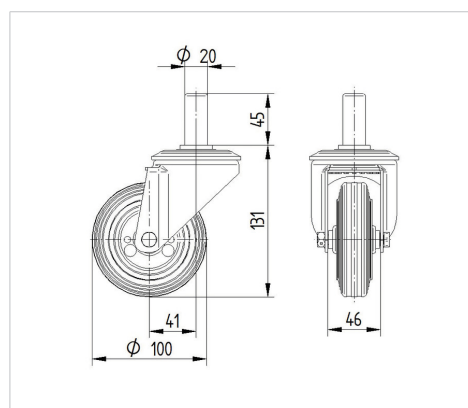
Technical Data

Wheel diameter	100 mm
Wheel width	30 mm
Bolt-Ø	20 mm
Bolt length	45 mm
Offset	41 mm
Swivel Interference	182 mm
Overall height	131 mm
Temperature	- 20 / + 60 °C
Standard	EN 12532
Weight	1.046 kg
Swivel Radius	91 mm
Hardness of tread	Shore A 85
Load capacity	70 kg
Load capacity (static)	320 kg

Advantages at a glance

Roll performance	● ● ● ○ ○
Movement noise	● ● ● ○ ○
Attrition	● ● ○ ○ ○
Corrosion resistance	● ● ● ○ ○

Dimensions



Structure & Mounting

