

ALPHA

3470DVR125R05-20x45

EAN 4031582303599

Swivel castor, housing made of pressed steel, bright zinc plated, blue passivated, double ball bearing swivel head, wheel axle with nut, solid plug fitting. Wheel centre made of pressed steel, Tread: solid rubber, black, roller bearing



BETTER MOBILITY. BETTER LIFE.



Picture may differ from original product

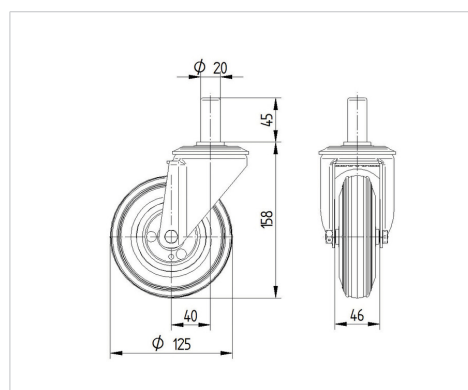
Technical Data

Wheel diameter	125 mm
Wheel width	37 mm
Bolt-Ø	20 mm
Bolt length	45 mm
Offset	40 mm
Swivel Interference	205 mm
Overall height	158 mm
Temperature	- 20 / + 60 °C
Standard	EN 12532
Weight	1.309 kg
Swivel Radius	102.5 mm
Hardness of tread	Shore A 85
Load capacity	70 kg
Load capacity (static)	320 kg

Advantages at a glance

Roll performance	● ● ● ○ ○
Movement noise	● ● ● ○ ○
Attrition	● ● ○ ○ ○
Corrosion resistance	● ● ● ○ ○

Dimensions



Structure & Mounting

